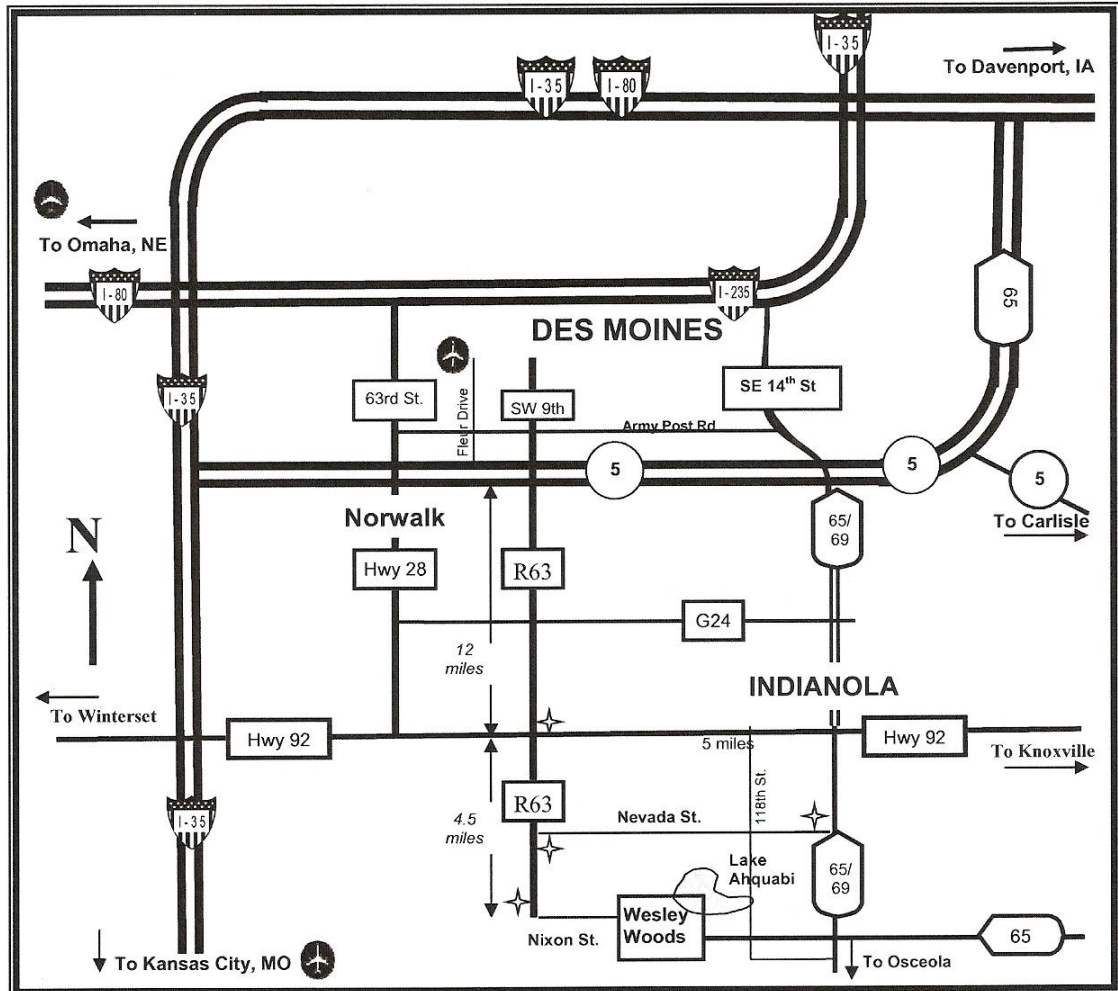




Wesley Woods Camp & Retreat Center

10896 Nixon St.
Indianola, IA 50125



Look for the Wesley Woods signs! ✨

FROM INTERSTATE 35:

On I-35 turn East onto Hwy 92 (Exit 56) for 11 miles. At R63 (flashing lights) turn South (right) for 4.5 miles pavement ends. Nixon St. (gravel road) turn East (left) road ends at Wesley Woods. *Alternative: Hwy 5 bypass East until SW 9th St/R63 South (exit 96) crossing Hwy G24 & Hwy 92 (flashing lights) until Nixon St.*

FROM INTERSTATE 80:

On I-80 West turn South (exit 141) onto Hwy 65 (becomes Hwy 5 East-West). At SW 9th St/R63 (exit 96) turn South. Continue South on R63, crossing G24 & Hwy 92 (flashing lights) until Nixon St. (gravel road). Turn East (left) on Nixon St. which ends at Wesley Woods.

FROM INDIANOLA:

At junction Hwy 65/69 & Hwy 92 (2nd Ave) turn West on Hwy 92 for 2.5 miles, R63 (Flashing Light) turn South (left) for 4.5 miles, turn East (left) on Nixon St. (gravel road) ends at Wesley Woods. *Alternative: Hwy 65/69 to West Nevada St. (gravel road) to R63 South. 1 mile South on R63, East (left) on Nixon St. (gravel road) until road ends at Wesley Woods.*